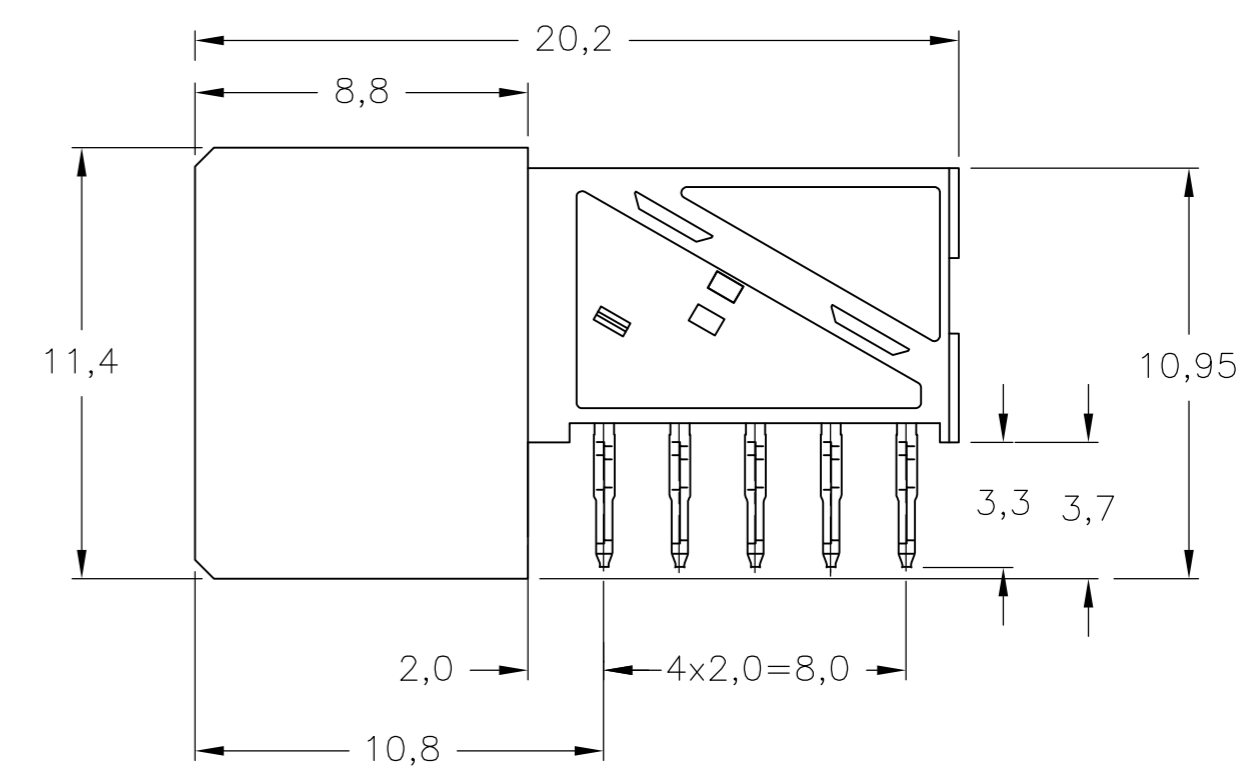
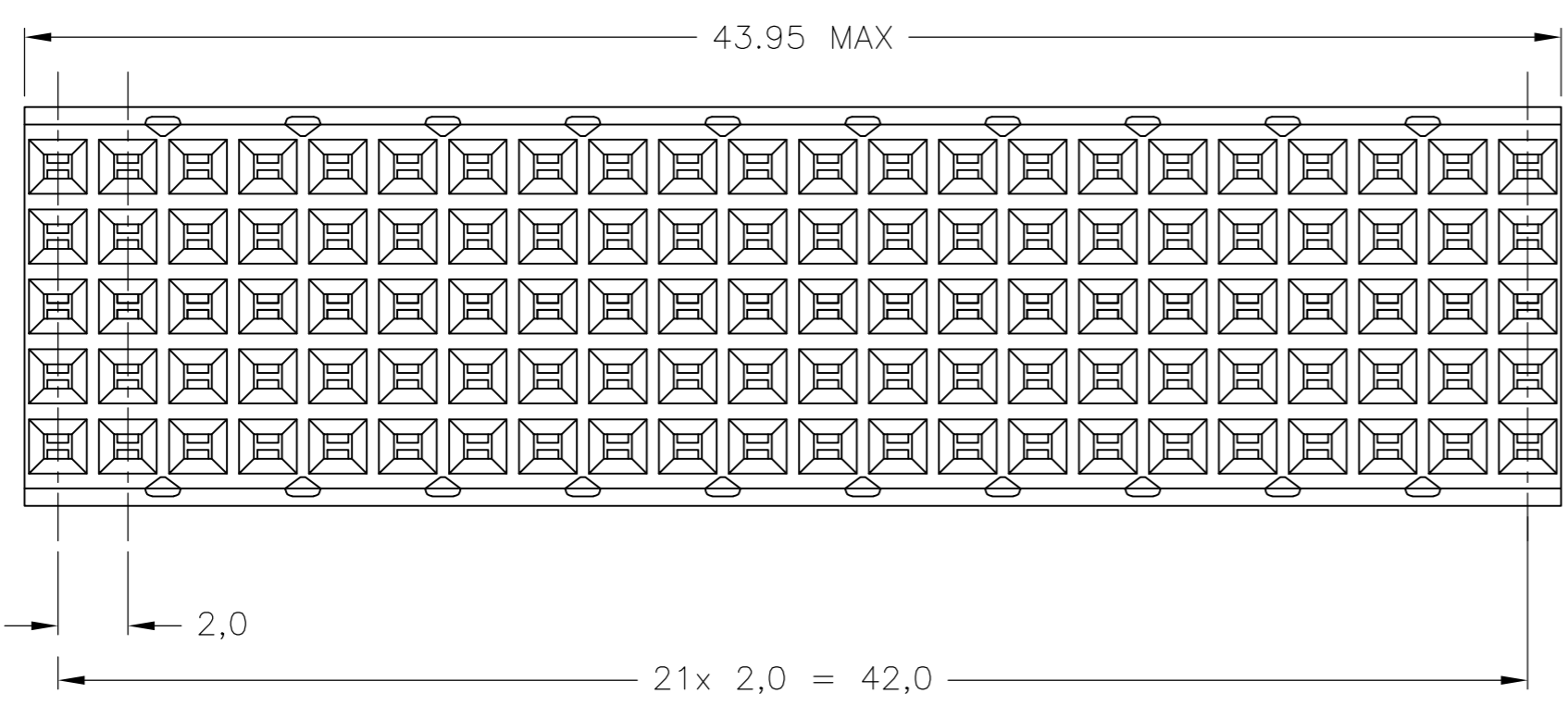
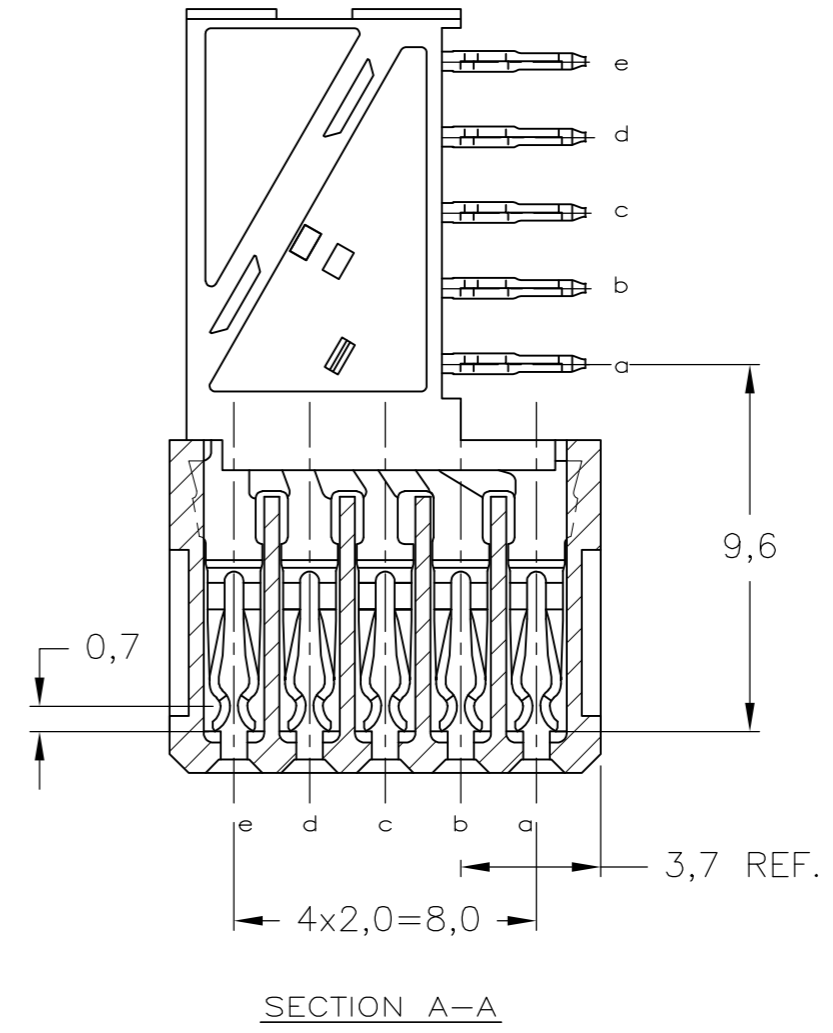
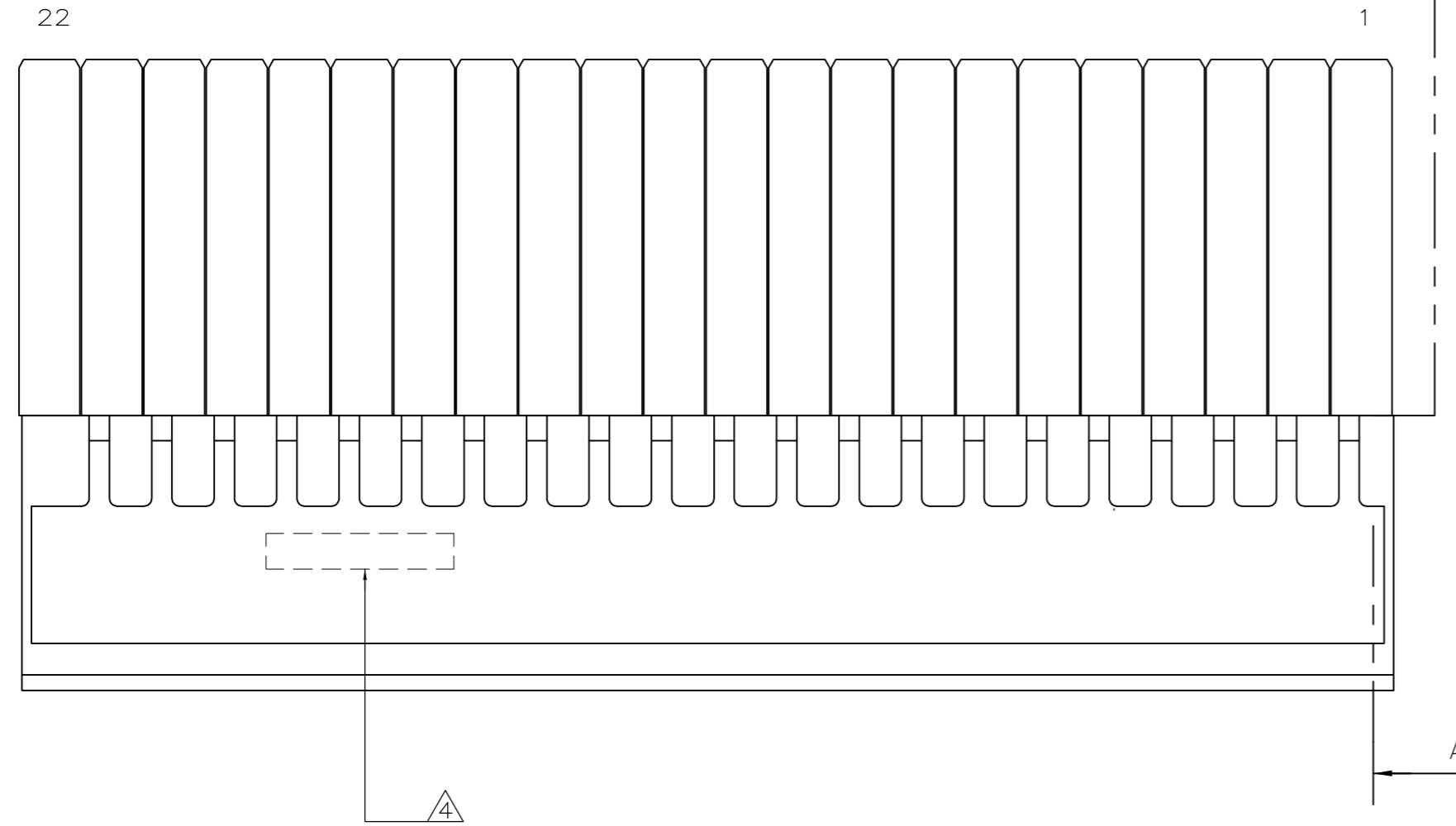


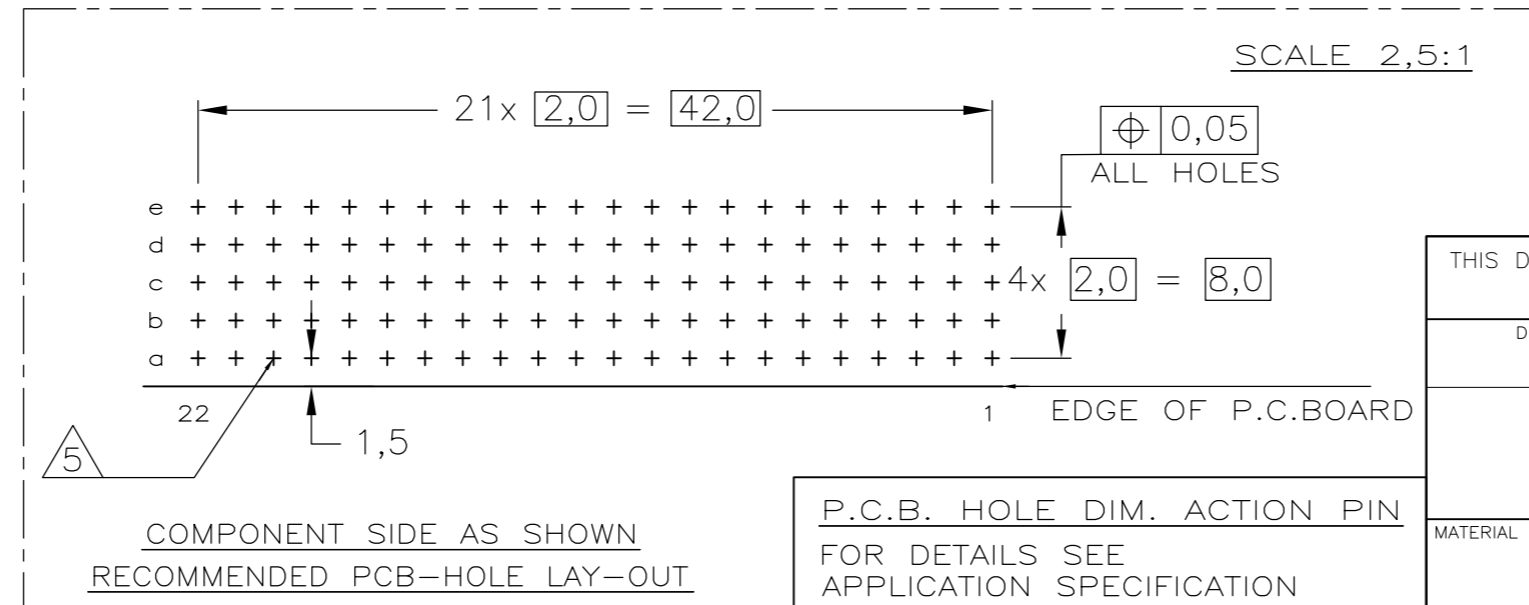
THIS DRAWING IS UNPUBLISHED. RELEASED FOR PUBLICATION
 © COPYRIGHT BY TYCO ELECTRONICS CORPORATION. ALL RIGHTS RESERVED.

LOC		DIST		REVISIONS			
P	LTR	DESCRIPTION		DATE	DWN	APVD	
F		ECR-12-007088		17APR2012	SY	AC	



NOTES:

- ① MATERIAL CONTACT; PHOSPHORBRONZE
MATERIAL HOUSING; GLASSFILLED POLYESTER (GRAY)
UL-RATING 94V0.
- ② GENERAL PLATING SPECIFICATION: UNDERPLATING
(ENTIRE CONTACT): 1,27µm NICKEL MIN. AND ACTION
PIN: 0,5µm TIN MIN.
FOR PLATING OF MATING SURFACES SEE APPLICABLE
SPECIFICATION REFERENCE FOR EACH DASH NUMBER.
- ③ CONFORMS TO ALL TESTING ACCORDING IEC 61076-4-101
PERFORMANCE LEVEL 2.
- ④ CONNECTOR PRINTED WITH PARTNUMBER AND DATECODE
- ⑤ PLATED-THROUGH HOLES AT 2x2mm
SQUARE GRID. 110 HOLES
- 6. FITS WITH INTEGRATED GROUND RETURN UPPERSHIELD
BASIC P.N. 5352151
- ⑦ 0.76µm MIN. GOLD PLATING AT MATING SURFACES.
- ⑧ CONNECTOR TESTED AND QUALIFIED AGAINST TELCORDIA,
GR-1217-CORE QUALITY LEVEL III, CENTRAL OFFICE APPLICATIONS.



THIS DRAWING IS A CONTROLLED DOCUMENT.

DIMENSIONS:	TOLERANCES UNLESS OTHERWISE SPECIFIED:
mm	±0.2
MATERIAL	FINISH
-	-

DWN	13AUG2004	Tyco Electronics Corporation	
CHK	22MAR2005	's-Hertogenbosch,5222AR-32	
APVD	22MAR2005	NAME	
PRODUCT SPEC	108-19082	Z-PACK 2mm HM	
APPLICATION SPEC	114-19029	110 POS. FEMALE DAUGHTER CARD CONN. (22 COLUMNS)	
WEIGHT	-	SIZE	RESTRICTED TO
CUSTOMER DRAWING	A2	CAGE CODE	00779
SCALE	5:1	DRAWING NO	C=5188836
SHEET	1	REV	F